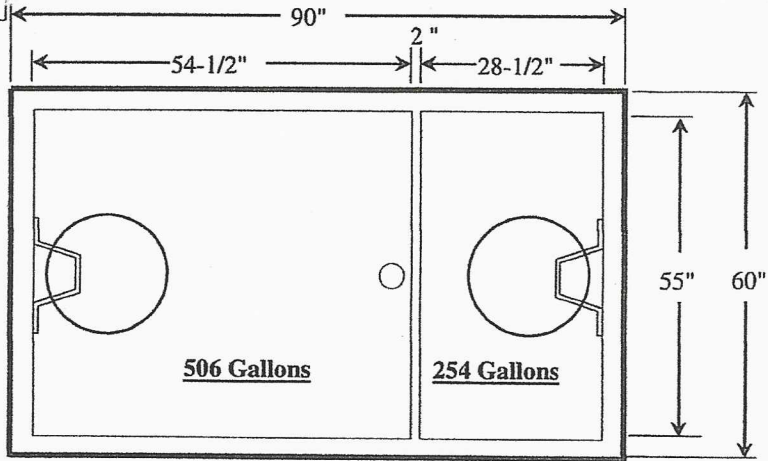
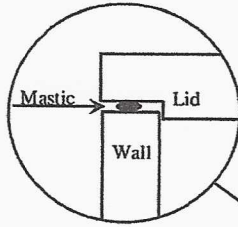


**750 Gallon - Rev. C
2-Compartment Septic Tank**

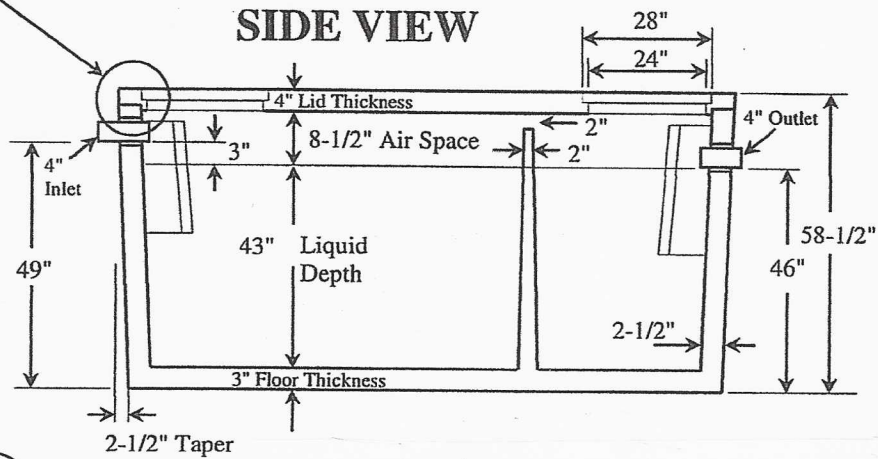
TOP VIEW



Enlarged Detail



SIDE VIEW



Manhole Openings

